

F010



Product Specification

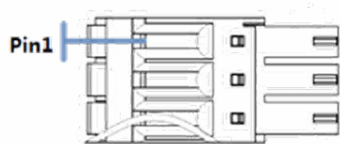
Touch	Capacitivo
Feature	-
Performance	-
Inch	9,7"
Form Factor	4:3
Display	LCD
Resolution	1024 x 768
Colors	24bit
LCD view angles (T/B/L/R)	85'/85'/85'/85'
Brightness	350cd/m2
Backlight	LED
Display life	50000h
CPU	ARM Cortex-A8 - 600MHz
RAM	128MB
Storage	128MB
Battery backup Memory	Stored in storage
RTC	Built in
SD card	SD
Ethernet	1x 10/100Mb/s
USB Host	USB Type A
Programming port	Micro USB Type B

COM 1	RS232/422/485
COM 2	RS485
COM 3	RS232
COM 4	RS485
COM 5	-
Power Supply	9 - 28 Vdc
Power Consumption	< 6W
Storage Temperature	-20 ~ 70 °C
Operating Temperature	-10 ~ 60°C
Relative Humidity	10 - 90%RH (non-condensate)
Vibration	10 - 25Hz (x-y-z 2G/30min)
Protection Degree (Front)	IP65
Protection Degree (Back)	IP20
Lightning	Lightening &Surging ±1KV, Group Pulse ±2KV, Static Contact: 4KV, Air Discharge: 8KV
Case Material	Aluminium + ABS
Mounting	Panel-Mount
Cutout	230 x 180mm
Dimension	247 x 197 x 31,5mm
Weight	1240g
CE	EN61000-6-2:2005, EN61000-6-4:2007
RoHS	Compliant
UL	-



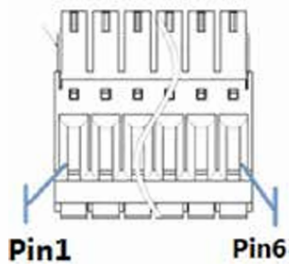


Power Terminals



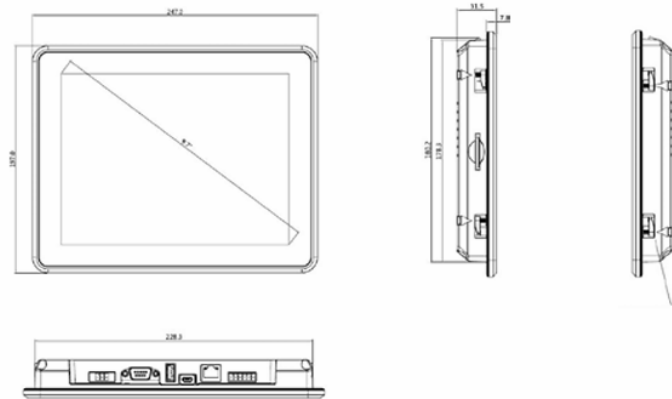
Pin1	FG
Pin2	GND
Pin3	DC24V

COM2/COM4



Pin1	A+(COM2)
Pin2	B-(COM2)
Pin3	GND
Pin4	A+(COM4)
Pin5	B-(COM4)
Pin6	GND

Mechanical Dimension



Cutout Dimension

